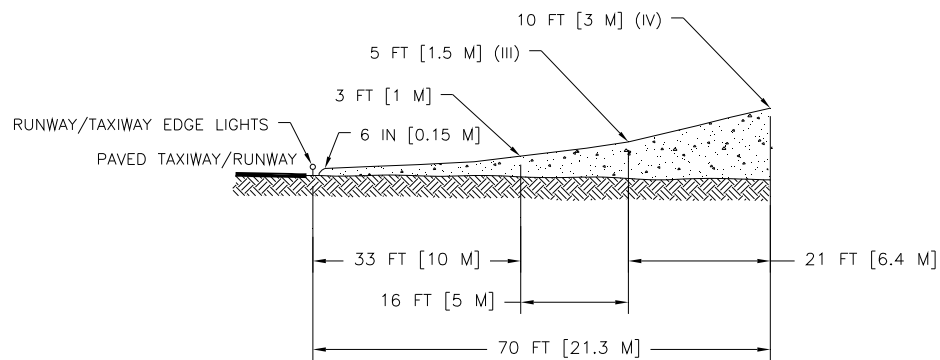
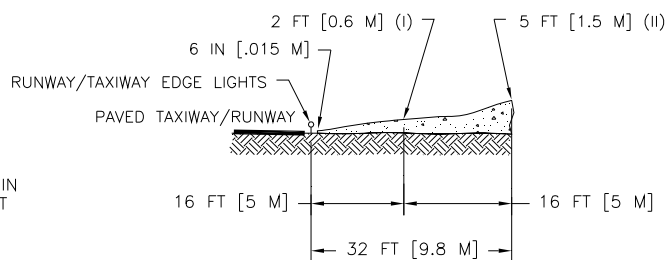


DESIGN GROUP V AND VI



DESIGN GROUP III AND IV



DESIGN GROUP I AND II

NOTE: SNOWBANK HEIGHT AS SHOWN IN FIGURE 4.2 MUST ALSO BE MET FOR ALL THREE ILLUSTRATIONS.

Figure 4-1. Snow Bank Profile Limits Along Edges of Runways and Taxiways with the Airplane Wheels on Full Strength Pavement (see Figure 4-2 guidance)